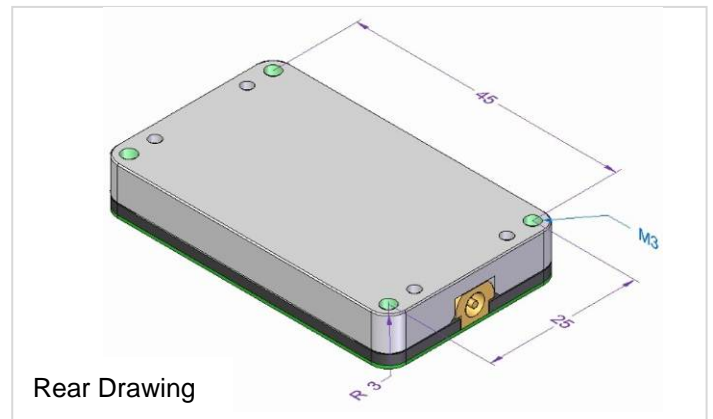
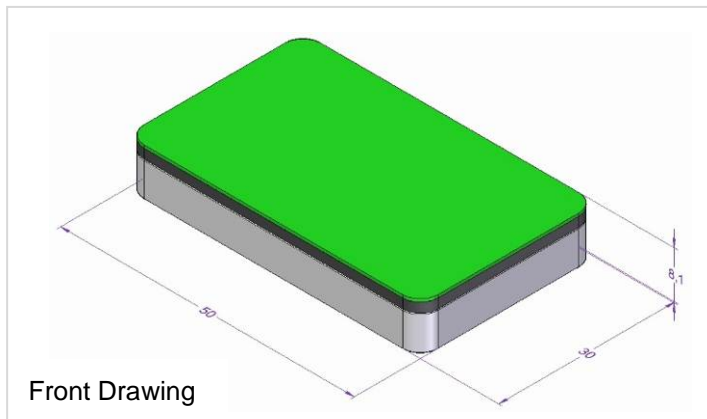
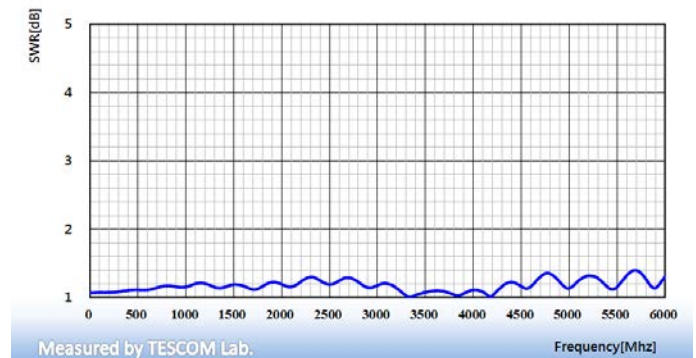


TC-93026A Flat Type Antenna Coupler



Specification

| | |
|-----------------|---------------------------|
| Frequency Range | 800 ~ 6000 MHz |
| RF Connector | MCX(f) |
| Dimension | 50(W) x 30(D) x 8.1(H) mm |
| Weight | 40 g |
| Terminal | 50 ohm |
| VSWR | better than 1 : 1.7 |



Typical VSWR of TC-93026A

Ordering Information

| Order Number | Description |
|--------------|---|
| TC-93026A | Flat Type Antenna Coupler (including accessories below) SS-405, MCX R/A(m)-SMA(m) 25cm - 4011-0014 |